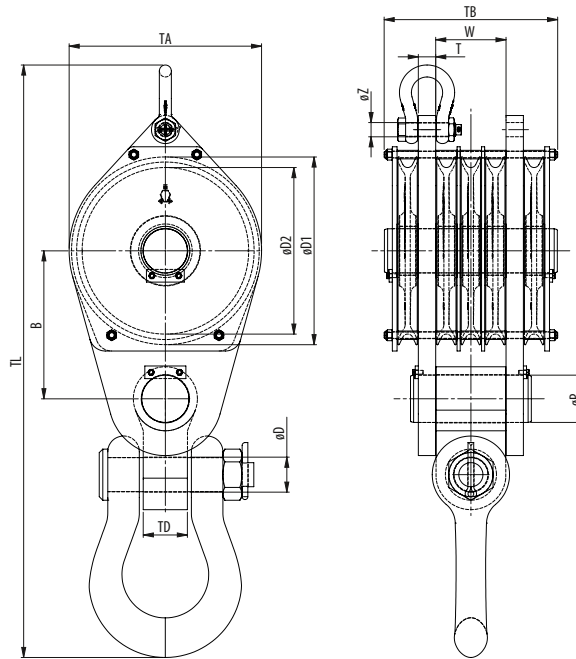
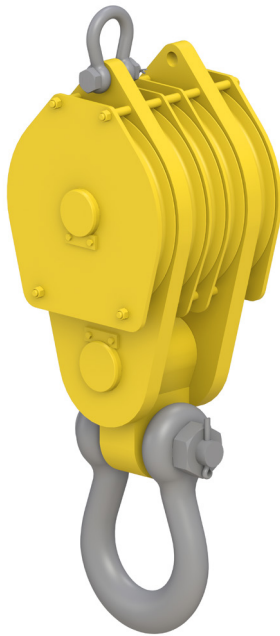


## CONSTRUCTION BLOCK WITH SHACKLE

## 5 SHEAVES



| Model No.       | WLL (Mtons) | For wire ød (mm) | Dimensions (mm) |     |     |     |     |     |    |    |     |     |      |     | Weight (kg) |
|-----------------|-------------|------------------|-----------------|-----|-----|-----|-----|-----|----|----|-----|-----|------|-----|-------------|
|                 |             |                  | øD1             | øD2 | B   | øD  | øP  | TD  | øZ | T  | TA  | TB  | TL   | W   |             |
| CB 260.16.5.50  | 50          | 13-16            | 300             | 260 | 271 | 68  | 80  | 65  | 28 | 30 | 310 | 375 | 1052 | 148 | 187         |
| CB 320.19.5.73  | 73          | 16-19            | 365             | 320 | 317 | 86  | 100 | 110 | 31 | 35 | 375 | 409 | 1313 | 172 | 323         |
| CB 355.22.5.95  | 95          | 19-22            | 410             | 355 | 359 | 86  | 130 | 110 | 41 | 45 | 420 | 483 | 1462 | 198 | 451         |
| CB 400.26.5.120 | 120         | 19-26            | 460             | 400 | 388 | 98  | 130 | 120 | 41 | 45 | 470 | 491 | 1642 | 198 | 613         |
| CB 450.28.5.145 | 145         | 22-28            | 515             | 450 | 429 | 111 | 150 | 140 | 45 | 55 | 530 | 550 | 1788 | 223 | 894         |
| CB 528.32.5.173 | 173         | 22-32            | 595             | 528 | 469 | 111 | 150 | 140 | 45 | 55 | 610 | 550 | 1868 | 223 | 1073        |
| CB 575.36.5.191 | 191         | 26-36            | 650             | 575 | 514 | 133 | 170 | 140 | 53 | 60 | 670 | 638 | 2160 | 266 | 1482        |
| CB 630.38.5.220 | 220         | 26-38            | 710             | 630 | 544 | 133 | 170 | 140 | 53 | 60 | 730 | 638 | 2220 | 266 | 1544        |

Minimum Ultimate Strength = 4 x WLL

- Standard delivered with bronze bearing
- The dimensions in this table are indicative only. A drawing will always be submitted prior production and will be the leading document when discussing dimensions.
- Blocks shown here are standard models; inquiries for custom versions are welcome.
- Refer to wire rope manufacturers D/d ratio guideline.



**SEE OUR WARNING & SAFETY INFORMATION**

Optional

With hanger

With pin

With swivel eye

With swivel jaw

